

Nederlandse norm

NEN-EN 274-1 (en)

Afvoerinrichtingen voor sanitaire toestellen -
Deel 1: Eisen

Waste fittings for sanitary appliances - Part 1: Requirements

Vervangt NEN-EN 274:1992; NEN-EN 329:1994; NEN-EN 411:1995; NEN-EN 274-1:1997 Ontw. Vervangt deze normen samen met NEN-EN 274-2:2002 en NEN-EN 274-3:2002

ICS 91.140.70; 91.140.80

februari 2002

Als Nederlandse norm is aanvaard:
 - EN 274-1:2002, IDT

Voorbeeld
 Preview

Normcommissie 351 165 "Afvalwatertechniek"

Apart from exceptions provided by the law, nothing from this publication may be duplicated and/or published by means of photocopy, microfilm, storage in computer files or otherwise, which also applies to full or partial processing, without the written consent of the Netherlands Standardization Institute.

The Netherlands Standardization Institute shall, with the exclusion of any other beneficiary, collect payments owed by third parties for duplication and/or act in and out of law, where this authority is not transferred or falls by right to the Reproduction Rights Foundation.

Auteursrecht voorbehouden. Behoudens uitzondering door de wet gesteld mag zonder schriftelijke toestemming van het Nederlands Normalisatie-instituut niets uit deze uitgave worden verveelvoudigd en/of openbaar gemaakt door middel van fotokopie, microfilm, opslag in computerbestanden of anderszins, hetgeen ook van toepassing is op gehele of gedeeltelijke bewerking.

Het Nederlands Normalisatie-instituut is met uitsluiting van ieder ander gerechtigd de door derden verschuldigde vergoedingen voor verveelvoudiging te innen en/of daartoe in en buiten rechte op te treden, voor zover deze bevoegdheid niet is overgedragen c.q. rechtens toekomt aan de Stichting Reprorecht.

Although the utmost care has been taken with this publication, errors and omissions cannot be entirely excluded. The Netherlands Standardization Institute and/or the members of the committees therefore accept no liability, not even for direct or indirect damage, occurring due to or in relation with the application of publications issued by the Netherlands Standardization Institute.

Hoewel bij deze uitgave de uiterste zorg is nagestreefd, kunnen fouten en onvolledigheden niet geheel worden uitgesloten. Het Nederlands Normalisatie-instituut en/of de leden van de commissies aanvaarden derhalve geen enkele aansprakelijkheid, ook niet voor directe of indirecte schade, ontstaan door of verband houdend met toepassing van door het Nederlands Normalisatie-instituut gepubliceerde uitgaven.

Nederlands voorwoord

Voor de in deze norm vermelde normatieve verwijzingen bestaan in Nederland de volgende equivalenten:

<u>vermelde norm</u>	<u>Nederlandse norm</u>	<u>titel</u>
EN 248	NEN-EN 248	Sanitaire kranen - Elektrolytisch aangebrachte chroomnikkel lagen - Algemene technische eisen (en)
EN 274-2:2002	NEN-EN 274-2:2002	Afvoerinrichtingen voor sanitaire toestellen - Deel 2: Beproevingen (en)
EN 274-3	NEN-EN 274-3	Afvoerinrichtingen voor sanitaire toestellen - Deel 3: Kwaliteitscontrole (en)
EN 476:1997	NEN-EN 476:1998	Binnen- en buitenrioleringen onder vrij verval - Algemene eisen voor onderdelen (en)
EN 12056-1	EN 12056-1	Binnenriolering onder vrij verval - Deel 1: Algemene en uitvoeringseisen (en)
EN 12056-2	EN 12056-2	Binnenriolering onder vrij verval - Deel 2: Ontwerp en berekening van huishoudelijk-afvalwatersystemen (en)
ISO 228-1	NEN-ISO 228-1	Niet-afdichtende pijpschroefdraad - Deel 1: Afmetingen, toleranties en aanduiding (nl)

Orbital
Preview

Voorbeeld
Preview

ICS 91.140.70

Supersedes together with EN 274-2:2002 and EN 274-3:2002 the EN 274:1992, EN 329:1994 and EN 411:1995

English version



Waste fittings for sanitary appliances - Part 1: Requirements

Dispositifs de vidage des appareils sanitaires - Partie 1:
ExigencesAblaufgarnituren für Sanitärausstattungsgegenstände - Teil
1: Anforderungen

This European Standard was approved by CEN on 23 December 2001.

CEN members are bound to comply with the CEN/CENELEC Internal Regulations which stipulate the conditions for giving this European Standard the status of a national standard without any alteration. Up-to-date lists and bibliographical references concerning such national standards may be obtained on application to the Management Centre or to any CEN member.

This European Standard exists in three official versions (English, French, German). A version in any other language made by translation under the responsibility of a CEN member into its own language and notified to the Management Centre has the same status as the official versions.

CEN members are the national standards bodies of Austria, Belgium, Czech Republic, Denmark, Finland, France, Germany, Greece, Iceland, Ireland, Italy, Luxembourg, Malta, Netherlands, Norway, Portugal, Spain, Sweden, Switzerland and United Kingdom.

EUROPEAN COMMITTEE FOR STANDARDIZATION
COMITÉ EUROPÉEN DE NORMALISATION
EUROPÄISCHES KOMITEE FÜR NORMUNG

Management Centre: rue de Stassart, 36 B-1050 Brussels

Contents

	page
Foreword.....	3
1 Scope.....	3
2 Normative references.....	3
3 Terms and definitions.....	4
4 Requirements.....	4
4.1 General.....	4
4.2 Appearance of surfaces.....	4
4.3 Materials.....	4
4.4 Design.....	5
4.4.1 Waste outlets.....	5
4.4.2 Traps.....	5
4.5 Dimensions.....	6
4.6 Hydraulic requirements.....	15
4.7 Tightness.....	15
4.7.1 Tightness of waste outlet with plug or flap.....	15
4.7.2 Tightness of waste fitting.....	15
5 Marking.....	16
6 Quality control.....	16
Annex A (informative) A-Deviation.....	17
Bibliography.....	18

Foreword

This European Standard has been prepared by Technical Committee CEN/TC 165, "Wastewater engineering", the secretariat of which is held by DIN.

This European Standard shall be given the status of a national standard, either by publication of an identical text or by endorsement, at the latest by July 2002, and conflicting national standards shall be withdrawn at the latest by July 2002.

Together with Parts 2 and 3 of this standard, this European Standard supersedes EN 274:1992, EN 329:1994 and EN 411:1995.

The other parts of the European Standard contain the necessary statements on testing and quality control of waste fittings for sanitary appliances.

Annex A is informative.

According to the CEN/CENELEC Internal Regulations, the national standards organizations of the following countries are bound to implement this European Standard: Austria, Belgium, Czech Republic, Denmark, Finland, France, Germany, Greece, Iceland, Ireland, Italy, Luxembourg, Malta, Netherlands, Norway, Portugal, Spain, Sweden, Switzerland and the United Kingdom.

1 Scope

This standard specifies the dimensional, performance, materials and marking requirements for waste outlets, traps and overflows for kitchen sinks, shower trays, wash basins, bidets and baths which are connected to gravity drainage systems, whatever the purpose of the building.

This standard does not specify requirements for waste outlets, traps and overflows which are integral with sanitary appliances.

NOTE All figures in this standard are diagrammatic only.

This standard does not cover the possible effect of aggressive drain cleaning materials on products.

2 Normative references

This European Standard incorporates by dated or undated reference, provisions from other publications. These normative references are cited at the appropriate places in the text, and the publications are listed hereafter. For dated references, subsequent amendments to or revisions of any of these publications apply to this European Standard only when incorporated in it by amendment or revision. For undated references the latest edition of the publication referred to applies (including amendments).

EN 248, *Sanitary tapware - General specification for electrodeposited coatings of NiCr.*

EN 274-2:2002, *Waste fittings for sanitary appliances - Part 2: Test methods.*

EN 274-3, *Waste fittings for sanitary appliances - Part 3: Quality control.*

EN 476:1997, *General requirements for components used in discharge pipes, drains and sewers for gravity systems.*

EN 12056-1, *Gravity drainage systems inside buildings - Part 1: General and performance requirements.*

EN 12056-2, *Gravity drainage systems inside buildings - Part 2: Sanitary pipework, layout and calculation.*

ISO 228-1, *Pipe threads where pressure-tight joints are not made on the threads - Part 1: Dimensions, tolerances and designation.*

3 Terms and definitions

For the purposes of this European Standard, the following terms and definitions apply.

3.1 waste outlet

fitting through which the water is evacuated from the sanitary appliance, which can be sealed by means of a flap or plug and can be equipped with a fixed or a removable grille

3.2 overflow

fitting which allows the evacuation of excess water when a sanitary appliance is filled above a certain level

3.3 trap

fitting which provides a hydraulic seal between the waste outlet and the discharge pipe in order to prevent the entry of foul air from the discharge pipe into the building, without obstructing the discharge of the wastewater

4 Requirements

4.1 General

Waste outlets, traps and overflows enable the functioning of sanitary appliances. They shall be capable of being connected to drainage pipework systems in accordance with EN 12056-1 and EN 12056-2.

4.2 Appearance of surfaces

When viewed without magnification, the internal and external surfaces of the waste fittings shall be smooth, free from grooving, blistering or any other surface defects likely to impair their functioning.

The appearance of visible electrodeposited NiCr coatings shall comply with EN 248.

4.3 Materials

Waste outlets and traps shall be manufactured from materials which withstand intermittent contact with domestic waste water with a temperature range from $(20 \pm 5) \text{ }^{\circ}\text{C}$ to 95_{-2}°C when tested in accordance with clause 3 of EN 274-2:2002. Waste outlets and traps made of only metallic materials are deemed to satisfy this requirement.

The materials used shall be such that the finished products meet the requirements of this standard. It is the responsibility of the manufacturer of the waste fittings to employ materials which are fit for this purpose. This requirement does not cover the use of aggressive drain cleaning materials. The use of such materials is beyond the scope of this standard.

4.4 Design

4.4.1 Waste outlets

Waste outlets may be manufactured in one piece or may comprise various pieces joined together mechanically, either with or without an overflow. They can include a trap.

Waste outlets not fitted with a trap shall have a threaded or a plain outlet dimensioned as given in Table 1.

Waste outlets can be fitted with a fixed or removable grille.

4.4.2 Traps

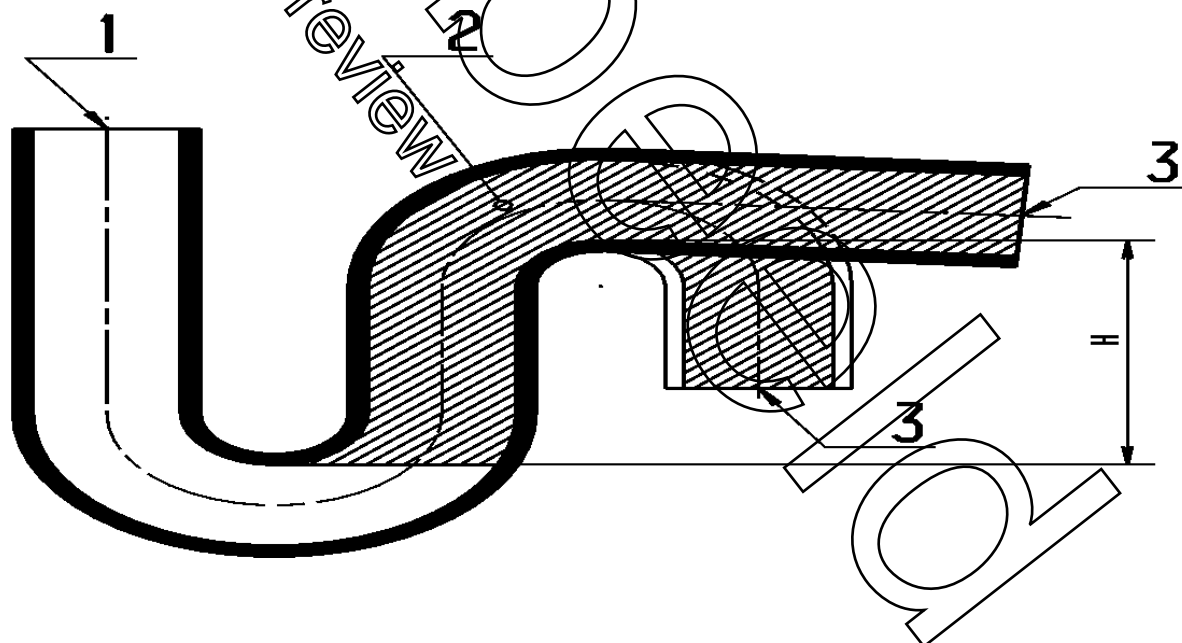
Traps may be either tubular or bottle type, the latter having either a division or diptube. All traps shall be capable of being cleaned. Other designs are permissible, provided that they meet all the requirements of this standard.

In all cases it shall not be possible to reduce the depth of the water seal below the minimum as given in Table 2.

Trap inlets shall be such that they can be connected to waste outlets of the appropriate size when the trap is supplied as a separate item.

Additional inlets and overflows shall be connected in such a way that the depth of water seal H , in accordance with Table 2, is ensured.

Any overflow connection incorporated into a trap shall be positioned as specified in Figure 1. This requirement shall apply to all types of trap.



Key

- 1 Inlet
- 2 No overflow connections in hatched area
- 3 Outlet

Figure 1 — Connection zone

ALTIJD DE ACTUELE NORM IN UW BEZIT HEBBEN?

Nooit meer zoeken in de systemen en uzelf de vraag stellen:
'Is NEN-EN 274-1:2002 en de laatste versie?'

Via het digitale platform NEN Connect heeft u altijd toegang tot de meest actuele versie van deze norm. Vervallen versies blijven ook beschikbaar. **U en uw collega's** kunnen de norm via NEN Connect makkelijk raadplagen, online en offline.

Kies voor slimmer werken en bekijk onze mogelijkheden op www.nenconnect.nl.

Heeft u vragen?

Onze Klantenservice is bereikbaar maandag tot en met vrijdag, van 8.30 tot 17.00 uur.

Telefoon: 015 2 690 391

E-mail: klantenservice@nen.nl

